

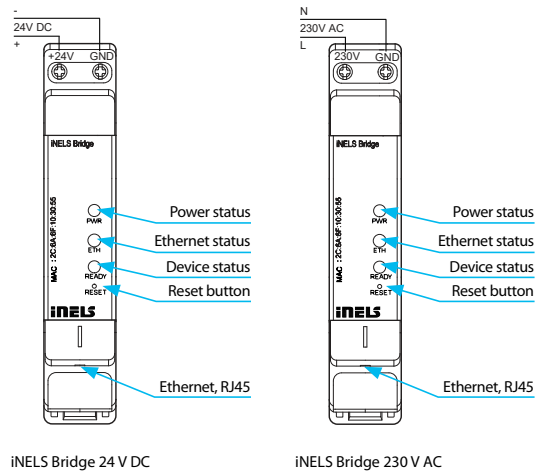


EAN code
 iNELS Bridge 24V DC: 8595188185097
 iNELS Bridge 230V AC: 8595188185240

Technical parameters		iNELS Bridge
Communication		
Communication network:	Ethernet	
Pre Installed software:	Connection Server, Home Assistant, Asterisk, MQTT Broker	
Ethernet		
Connectors:	RJ-45	
Communication speed:	10/100Mb	
Ethernet status indication:	LED link	
Preset IP address (ETH):	DHCP, mDNS	
Power supply		
Version 230V AC:	85–265 V AC/5 W	
Version 24V DC:	8-36 V DC/1 A	
Operating conditions		
Operating temperature:	-20 to +55 °C	
Storage temperature:	-25 to +70 °C	
Humidity:	max. 80%	
Degree of protection:	IP20	
Overvoltage category:	II.	
Degree of pollution:	2	
Operating position:	any	
Installation:	DIN rail EN 60715	
Design:	1-MODULE	
Terminal:	max. 2.5 mm ²	
Dimensions and weight		
Dimensions:	94 x 17.6 x 64mm	
Weight:	72 g	

- iNELS Bridge works as a gateway for connecting third party devices and integrating them into the iNELS environment.
- It is a one module hardware contain powerful linux based computer.
- The unit comes with an option of pre-installed Connection server, Home assistant with iNELS driver and Asterisk.
- The server uses the open Home Assistant platform, which contains more than 1000 existing integrations.
- The connection server is providing a communication environment between iNELS BUS System with the third-party devices, for which their protocols are also translated and submitted.
- iNELS Bridge is equipped ethernet port for fast and easy communication.
- The configuration is happening on its own web interface, where the default IP address is not fixed. (The IP address is assigned from the DHCP server and it's needed to be known when we're connected to the network).

Device description



Infrastructure example

